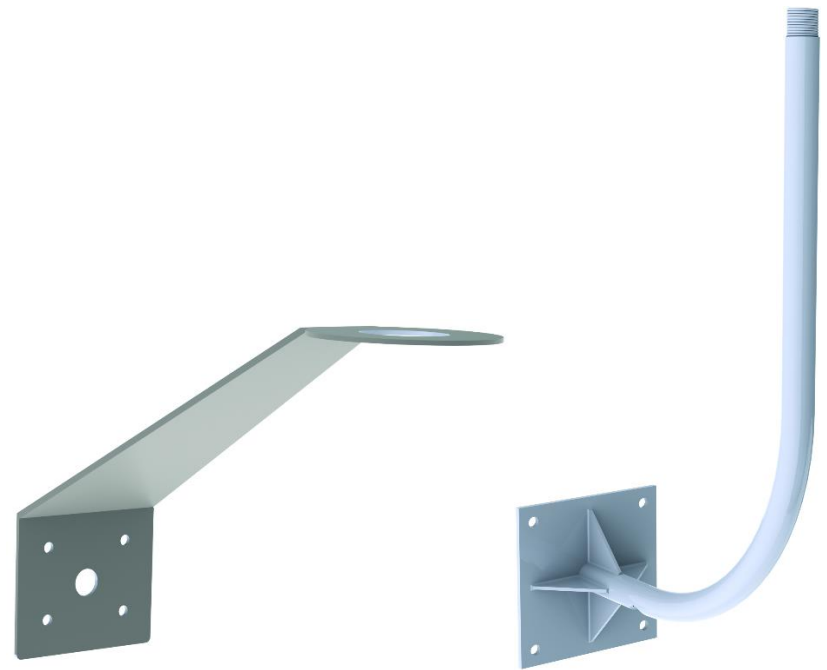



Brackets for mounting GPS antennas



1. DESCRIPTION

GPS-KP brackets are designed for outdoor installation of GLONASS / GPS antennas. They have 4 design options, differing in overall dimensions. Designed for installation of antennas with 3/4" internal pipe thread.

2. TECHNICAL SPECIFICATION

Feature	Description			
Modifications	GPS-KP-300	GPS-KP-500	GPS-KP-1000	GPS-KP-MINI
Design				
Material	Steel pipe with 3/4" thread and mounting base; painted with primer (grey color).			Stainless steel 1.5 mm
Height, mm	300	500	1000	125
Distance from the wall, mm	300			186
Antenna Mounting Method	Threaded connection, 3/4"			Threaded insert 3/4" x 1/2" (included)
Weight, grams	1900	2200	3000	200

3. OVERALL DIMENSIONS

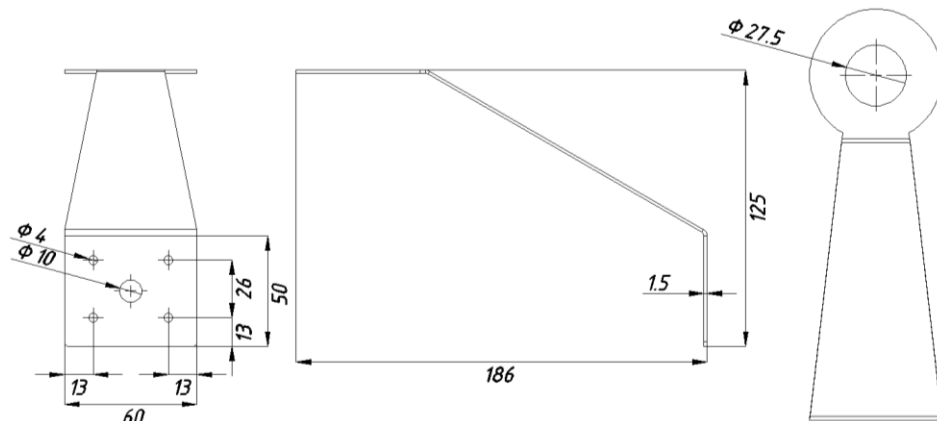


Figure 1 – GPS-KP-MINI

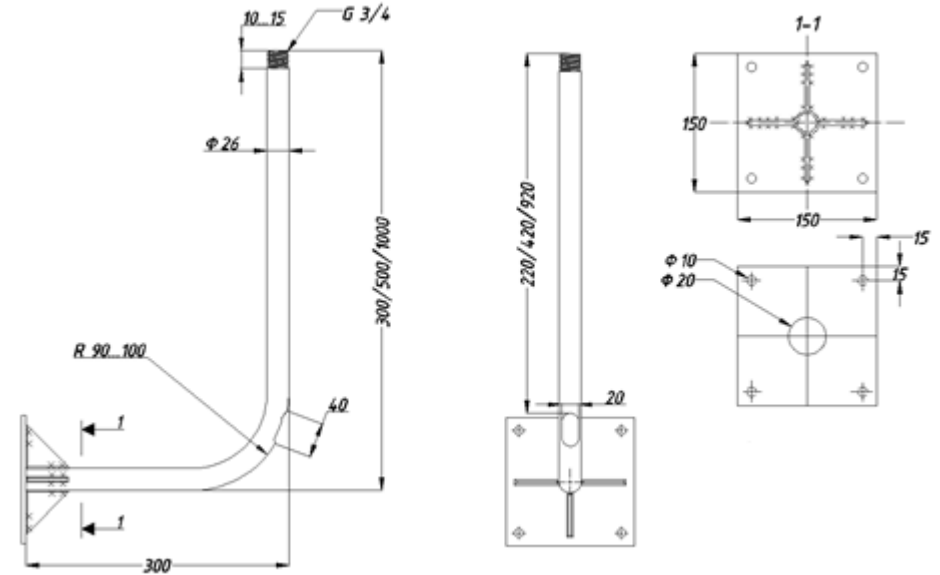


Figure 2 – GPS-KP-300/500/1000

4. INSTALLATION INSTRUCTIONS

4.1. The bracket must be installed outside the building so that the antenna is located at the level of the roof. The installation location must necessarily be removed from objects reflecting signals from satellites (gratings, extended metal surfaces, etc.). In addition, for reasons of lightning protection, the antenna should not be installed above the grounded metal structures located on the roof - antenna masts, exhaust pipes, lightning rods, etc.

4.2. The bracket is fixed to the wall with anchor bolts, screws or other fasteners, depending on the wall material and the design of the bracket (fasteners are not included in the delivery).

4.3. In the case of using the GPS-KP-300, GPS-KP-500, GPS-KP-1000 brackets, the cable should be laid inside the bracket, for which there is a hole on the plate fixed to the wall of the building. Before mounting the bracket, you must drill a hole in the wall for the cable. If it is not possible to drill this hole or when using a large diameter cable, it can be laid in a corrugated pipe along the outer wall of the building and inserted into the bracket through the hole in the bracket bend (this option is possible only when using GPS-KP-500 and GPS-KP- brackets 1000, the GPS-KP-300 bracket does not have this hole).

4.4. When using the GPS-KP-MINI bracket, the cable is laid in a corrugated pipe.